

1. INTRODUCTION

Mini-Fit Jr.™ connectors handle up to 9.0A and are ideal for wire-to-wire and wire-to-board applications requiring design flexibility.

The core attributes of Mini-Fit Jr. include:

- fully isolated terminals,
- positive locking housings
- low-engagement forces
- polarized housings

The Mini-Fit family also offers blind mating, TPA and higher current options.

Designed for higher-current, higher-density applications requiring design flexibility, Mini-Fit Jr. connectors are ideal for power applications up to 9.0A per circuit. Additionally, these connectors are available in single row or dual row 2- to 24-circuit options, feature multiple plating, and resin options.

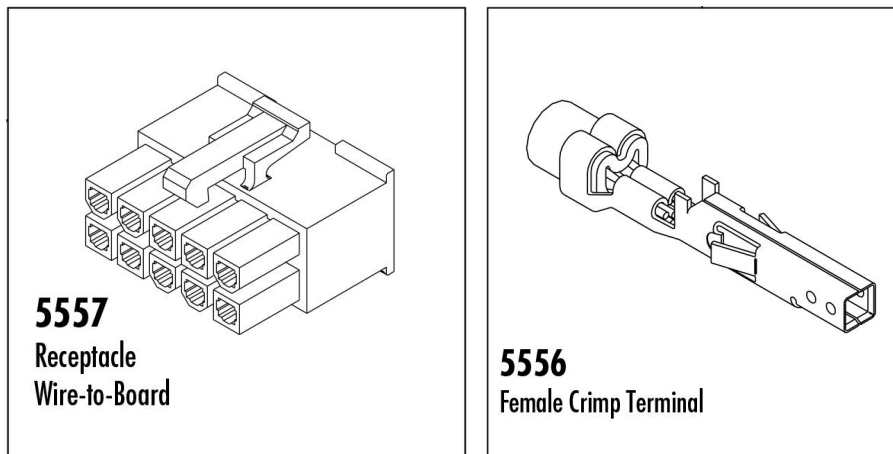


Figure 1

The Mini-Fit Jr.™ terminals feature multiple points of contact, so in the event that one part of the contact degrades or becomes blocked by debris, the other points of contact continue to carry the load. As a result, terminals have redundancy and a higher current carrying capability.

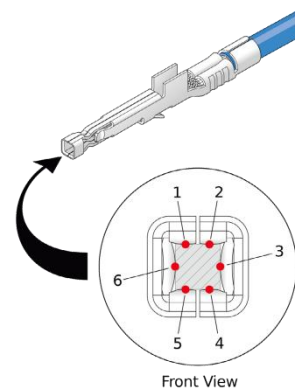


Figure 2

2. SPECIFICATIONS

- Current: 9.0A
- Voltage: 600V
- Contact Resistance: 10 Milliohms max change over life
- Dielectric Withstanding Voltage: 2200V AC
- Insulation Resistance: 1000 Megohms
- Operating Temperature: -40 to +105°C
- UL and CSA certified, RoHS Compliant

3. FEATURES & BENEFITS

Positive locking	<i>Ensures secure retention when receptacle and header or receptacle and plug are mated and prevents accidental unmating</i>
Fully isolated header pins and plug and receptacle terminals	<i>Protects contacts against potential damage during handling and mating</i>
Terminal provides four independent points of contact	<i>Offers redundant, secondary current paths for long term electrical performance and reliability</i>
Terminal polarization tab	<i>Ensures the terminals can only be fully inserted into the plugs and receptacles. Reduces the risk of terminal back out</i>

4. LAYOUT & DIMENSIONS

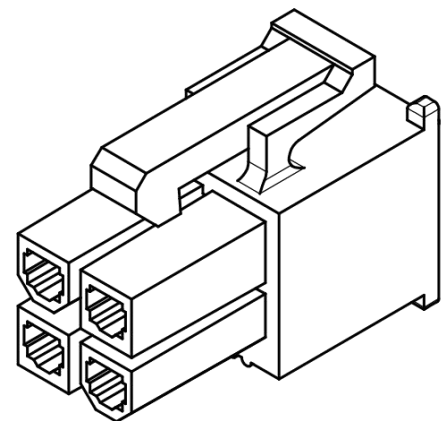
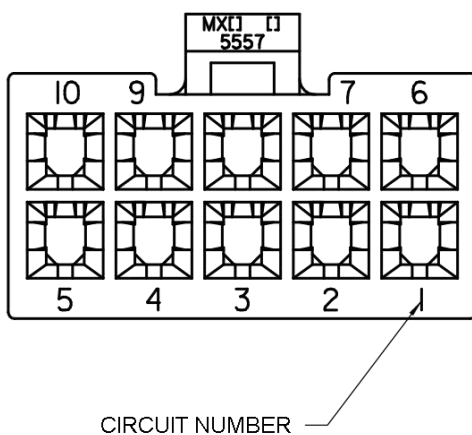


Figure 3

Mini-Fit Jr.™ 5557
4.20mm Pitch Receptacle Housing, UL 94V-2
Mini-Fit Jr.™ 5556
Female Crimp Terminal

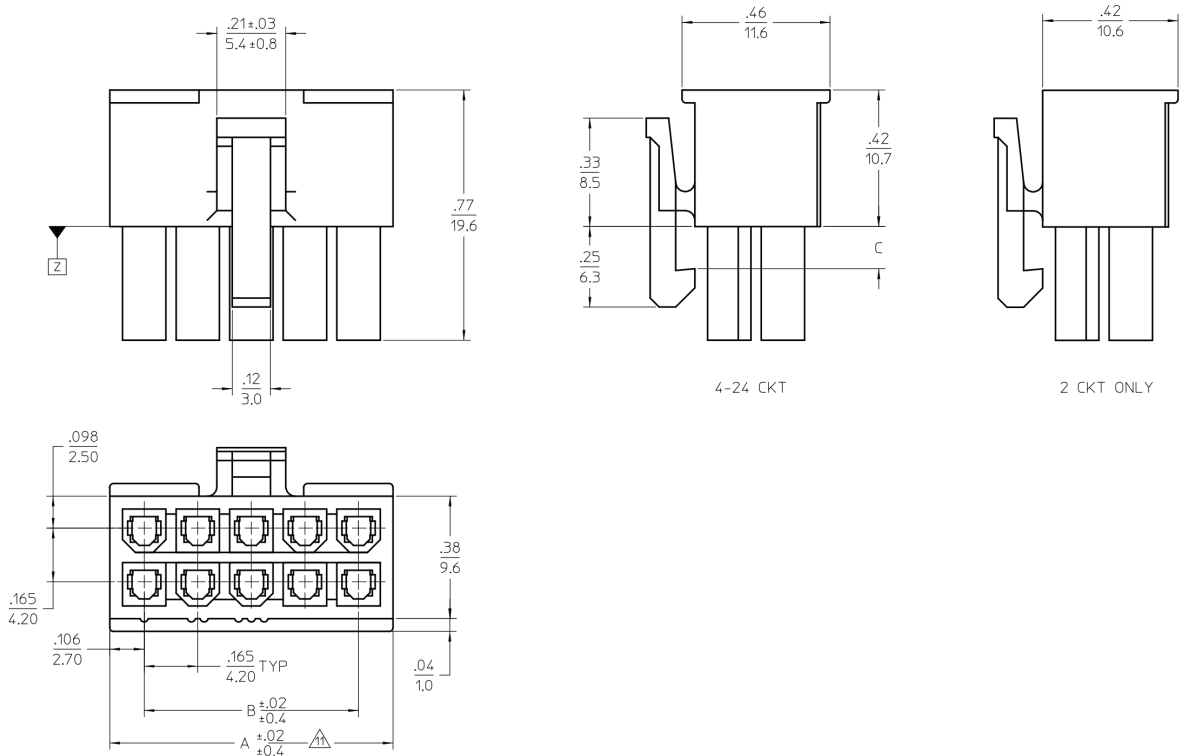


Figure 4

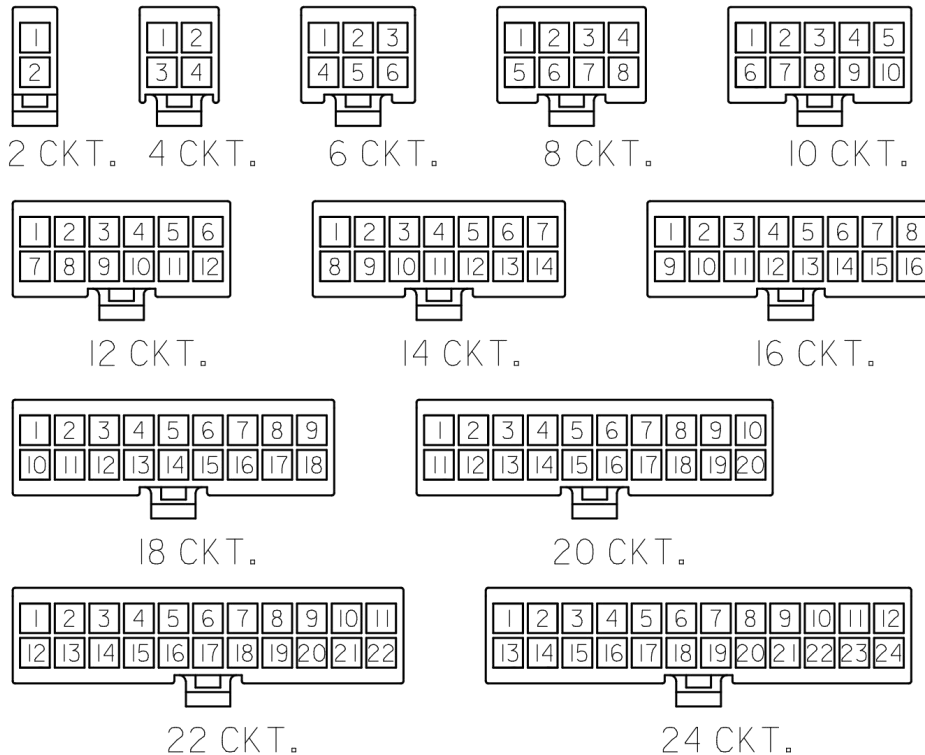


Figure 5